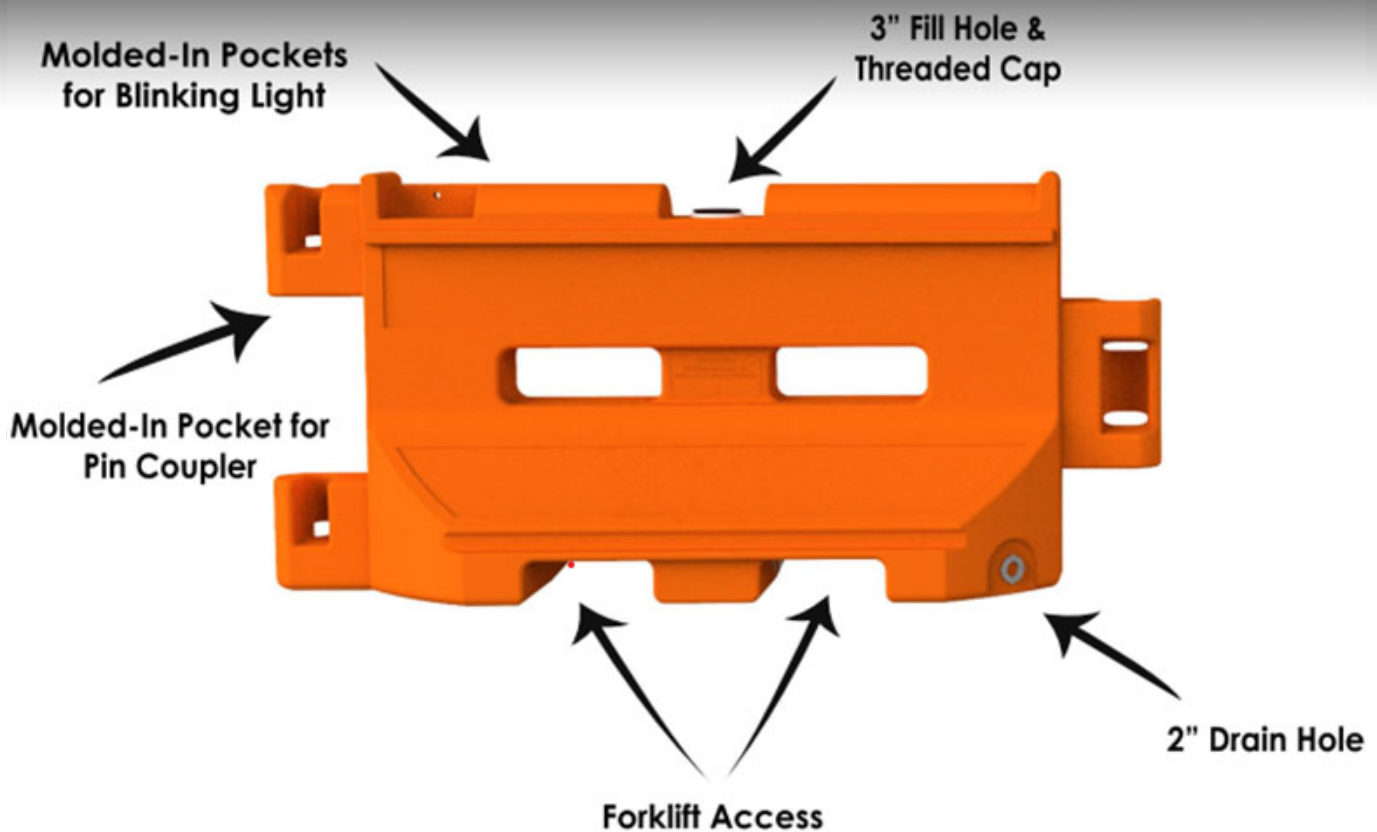


GS36

GUARDSAFE® 36

BARRICADE

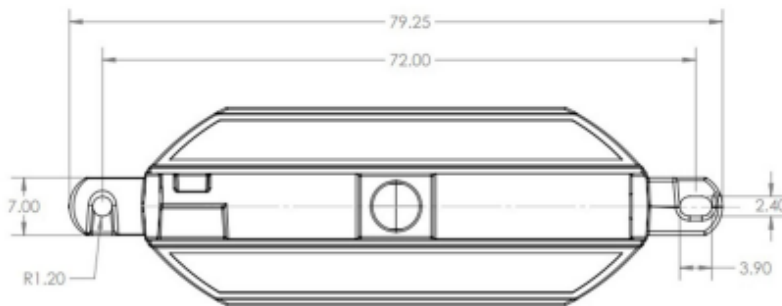
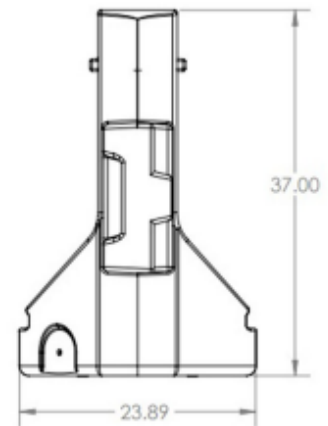
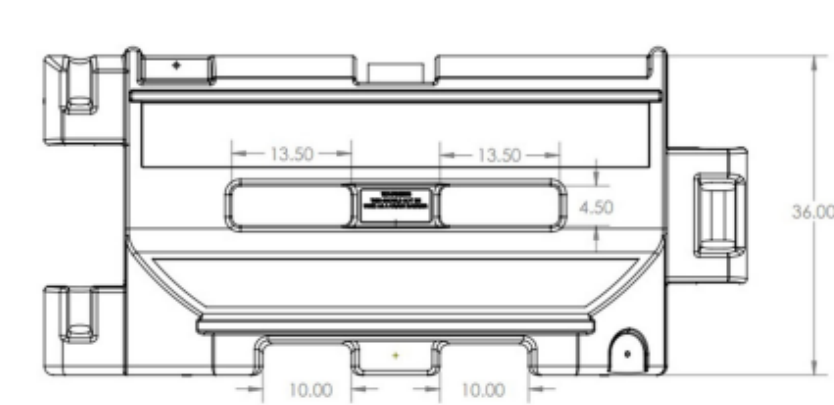


The GUARDSAFE® 36 barricade is a water-filled Longitudinal Channelizing Device (LCD) ideal for traffic and pedestrian channelization in almost any environment. The barricade is manufactured with rotationally-molded polyethylene, which allows it to withstand the harshest weather conditions and resist dents and cracks.

- Each unit includes:
 - Swivel pin to connect and rotate barricades up to 90 degrees
 - Recessed handles, forklift holes, and lightweight design, which allow for easier movement and positioning
 - Threaded top fill-port and bottom drain plugs for easy loading and unloading with sand or water ballast
- Available in three standard high-visibility colors: natural, orange, and yellow. Custom colors available upon request.
- Accepts rolled fence or fence panels to increase visibility and security for any project
- Ideal for temporary work zones, perimeter fencing, checkpoints, security, as well as crowd and traffic control
- FHWA MASH TL-1 approved as a Longitudinal Channelizing Device (LCD)

GS36

GUARDSAFE® 36 BARRICADE



Inches of Water	U.S. LBS	U.S. Gallons	Cubic Feet
16.5	600	63.47	8.48
15	574	60.4	8.07
12	508	52.4	7
9	410	40.72	5.44
6	282	25.38	3.39
3	156	10.29	1.38
0	70	-	-

Product Description	Width		Length		Height		Weight	
	in	cm	in	cm	in	cm	lbs	kgs
GUARDSAFE® 36 LCD	24	60.96	72	182.88	36	91.44	70	31.75